

# ***Motion Control***

---

**National Instruments 7330  
User Manual**

## **Worldwide Technical Support and Product Information**

ni.com

### **National Instruments Corporate Headquarters**

11500 North Mopac Expressway Austin, Texas 78759-3504 USA Tel: 512 683 0100

### **Worldwide Offices**

Australia 1800 300 800, Austria 43 0 662 45 79 90 0, Belgium 32 0 2 757 00 20, Brazil 55 11 3262 3599,  
Canada (Calgary) 403 274 9391, Canada (Montreal) 514 288 5722, Canada (Ottawa) 613 233 5949,  
Canada (Québec) 514 694 8521, Canada (Toronto) 905 785 0085, Canada (Vancouver) 514 685 7530,  
China 86 21 6555 7838, Czech Republic 420 2 2423 5774, Denmark 45 45 76 26 00,  
Finland 385 0 9 725 725 11, France 33 0 1 48 14 24 24, Germany 49 0 89 741 31 30, Greece 30 2 10 42 96 427,  
India 91 80 51190000, Israel 972 0 3 6393737, Italy 39 02 413091, Japan 81 3 5472 2970,  
Korea 82 02 3451 3400, Malaysia 603 9131 0918, Mexico 001 800 010 0793, Netherlands 31 0 348 433 466,  
New Zealand 0800 553 322, Norway 47 0 66 90 76 60, Poland 48 0 22 3390 150, Portugal 351 210 311 210,  
Russia 7 095 783 68 51, Singapore 65 6226 5886, Slovenia 386 3 425 4200, South Africa 27 0 11 805 8197,  
Spain 34 91 640 0085, Sweden 46 0 8 587 895 00, Switzerland 41 56 200 51 51, Taiwan 886 2 2528 7227,  
Thailand 662 992 7519, United Kingdom 44 0 1635 523545

For further support information, refer to the *Technical Support and Professional Services* appendix. To comment on the documentation, send email to [techpubs@ni.com](mailto:techpubs@ni.com).

© 2003 National Instruments Corporation. All rights reserved.

# Important Information

---

## Warranty

The National Instruments 7330 is warranted against defects in materials and workmanship for a period of one year from the date of shipment, as evidenced by receipts or other documentation. National Instruments will, at its option, repair or replace equipment that proves to be defective during the warranty period. This warranty includes parts and labor.

The media on which you receive National Instruments software are warranted not to fail to execute programming instructions, due to defects in materials and workmanship, for a period of 90 days from date of shipment, as evidenced by receipts or other documentation. National Instruments will, at its option, repair or replace software media that do not execute programming instructions if National Instruments receives notice of such defects during the warranty period. National Instruments does not warrant that the operation of the software shall be uninterrupted or error free.

A Return Material Authorization (RMA) number must be obtained from the factory and clearly marked on the outside of the package before any equipment will be accepted for warranty work. National Instruments will pay the shipping costs of returning to the owner parts which are covered by warranty.

National Instruments believes that the information in this document is accurate. The document has been carefully reviewed for technical accuracy. In the event that technical or typographical errors exist, National Instruments reserves the right to make changes to subsequent editions of this document without prior notice to holders of this edition. The reader should consult National Instruments if errors are suspected. In no event shall National Instruments be liable for any damages arising out of or related to this document or the information contained in it.

EXCEPT AS SPECIFIED HEREIN, NATIONAL INSTRUMENTS MAKES NO WARRANTIES, EXPRESS OR IMPLIED, AND SPECIFICALLY DISCLAIMS ANY WARRANTY OF MERCHANTABILITY OR FITNESS FOR A PARTICULAR PURPOSE. CUSTOMER'S RIGHT TO RECOVER DAMAGES CAUSED BY FAULT OR NEGLIGENCE ON THE PART OF NATIONAL INSTRUMENTS SHALL BE LIMITED TO THE AMOUNT THEREOF PAID BY THE CUSTOMER. NATIONAL INSTRUMENTS WILL NOT BE LIABLE FOR DAMAGES RESULTING FROM LOSS OF DATA, PROFITS, USE OF PRODUCTS, OR INCIDENTAL OR CONSEQUENTIAL DAMAGES, EVEN IF ADVISED OF THE POSSIBILITY THEREOF. This limitation of the liability of National Instruments will apply regardless of the form of action, whether in contract or tort, including negligence. Any action against National Instruments must be brought within one year after the cause of action accrues. National Instruments shall not be liable for any delay in performance due to causes beyond its reasonable control. The warranty provided herein does not cover damages, defects, malfunctions, or service failures caused by owner's failure to follow the National Instruments installation, operation, or maintenance instructions; owner's modification of the product; owner's abuse, misuse, or negligent acts; and power failure or surges, fire, flood, accident, actions of third parties, or other events outside reasonable control.

## Copyright

Under the copyright laws, this publication may not be reproduced or transmitted in any form, electronic or mechanical, including photocopying, recording, storing in an information retrieval system, or translating, in whole or in part, without the prior written consent of National Instruments Corporation.

## Trademarks

CVI™, IMAQ™, LabVIEW™, Measurement Studio™, National Instruments™, NI™, ni.com™, NI-Motion™, and RTSI™ are trademarks of National Instruments Corporation.

Product and company names mentioned herein are trademarks or trade names of their respective companies.

## Patents

For patents covering National Instruments products, refer to the appropriate location: **Help»Patents** in your software, the `patents.txt` file on your CD, or [ni.com/patents](http://ni.com/patents).

## WARNING REGARDING USE OF NATIONAL INSTRUMENTS PRODUCTS

(1) NATIONAL INSTRUMENTS PRODUCTS ARE NOT DESIGNED WITH COMPONENTS AND TESTING FOR A LEVEL OF RELIABILITY SUITABLE FOR USE IN OR IN CONNECTION WITH SURGICAL IMPLANTS OR AS CRITICAL COMPONENTS IN ANY LIFE SUPPORT SYSTEMS WHOSE FAILURE TO PERFORM CAN REASONABLY BE EXPECTED TO CAUSE SIGNIFICANT INJURY TO A HUMAN.

(2) IN ANY APPLICATION, INCLUDING THE ABOVE, RELIABILITY OF OPERATION OF THE SOFTWARE PRODUCTS CAN BE IMPAIRED BY ADVERSE FACTORS, INCLUDING BUT NOT LIMITED TO FLUCTUATIONS IN ELECTRICAL POWER SUPPLY, COMPUTER HARDWARE MALFUNCTIONS, COMPUTER OPERATING SYSTEM SOFTWARE FITNESS, FITNESS OF COMPILERS AND DEVELOPMENT SOFTWARE USED TO DEVELOP AN APPLICATION, INSTALLATION ERRORS, SOFTWARE AND HARDWARE COMPATIBILITY PROBLEMS, MALFUNCTIONS OR FAILURES OF ELECTRONIC MONITORING OR CONTROL DEVICES, TRANSIENT FAILURES OF ELECTRONIC SYSTEMS (HARDWARE AND/OR SOFTWARE), UNANTICIPATED USES OR MISUSES, OR ERRORS ON THE PART OF THE USER OR APPLICATIONS DESIGNER (ADVERSE FACTORS SUCH AS THESE ARE HEREAFTER COLLECTIVELY TERMED "SYSTEM FAILURES"). ANY APPLICATION WHERE A SYSTEM FAILURE WOULD CREATE A RISK OF HARM TO PROPERTY OR PERSONS (INCLUDING THE RISK OF BODILY INJURY AND DEATH) SHOULD NOT BE RELIANT SOLELY UPON ONE FORM OF ELECTRONIC SYSTEM DUE TO THE RISK OF SYSTEM FAILURE. TO AVOID DAMAGE, INJURY, OR DEATH, THE USER OR APPLICATION DESIGNER MUST TAKE REASONABLY PRUDENT STEPS TO PROTECT AGAINST SYSTEM FAILURES, INCLUDING BUT NOT LIMITED TO BACK-UP OR SHUT DOWN MECHANISMS. BECAUSE EACH END-USER SYSTEM IS CUSTOMIZED AND DIFFERS FROM NATIONAL INSTRUMENTS' TESTING PLATFORMS AND BECAUSE A USER OR APPLICATION DESIGNER MAY USE NATIONAL INSTRUMENTS PRODUCTS IN COMBINATION WITH OTHER PRODUCTS IN A MANNER NOT EVALUATED OR CONTEMPLATED BY NATIONAL INSTRUMENTS, THE USER OR APPLICATION DESIGNER IS ULTIMATELY RESPONSIBLE FOR VERIFYING AND VALIDATING THE SUITABILITY OF NATIONAL INSTRUMENTS PRODUCTS WHENEVER NATIONAL INSTRUMENTS PRODUCTS ARE INCORPORATED IN A SYSTEM OR APPLICATION, INCLUDING, WITHOUT LIMITATION, THE APPROPRIATE DESIGN, PROCESS AND SAFETY LEVEL OF SUCH SYSTEM OR APPLICATION.

# Compliance

---

## FCC/Canada Radio Frequency Interference Compliance

### Determining FCC Class

The Federal Communications Commission (FCC) has rules to protect wireless communications from interference. The FCC places digital electronics into two classes. These classes are known as Class A (for use in industrial-commercial locations only) or Class B (for use in residential or commercial locations). All National Instruments (NI) products are FCC Class A products.

Depending on where it is operated, this Class A product could be subject to restrictions in the FCC rules. (In Canada, the Department of Communications (DOC), of Industry Canada, regulates wireless interference in much the same way.) Digital electronics emit weak signals during normal operation that can affect radio, television, or other wireless products.

All Class A products display a simple warning statement of one paragraph in length regarding interference and undesired operation. The FCC rules have restrictions regarding the locations where FCC Class A products can be operated.

Consult the FCC Web site at [www.fcc.gov](http://www.fcc.gov) for more information.

### FCC/DOC Warnings

This equipment generates and uses radio frequency energy and, if not installed and used in strict accordance with the instructions in this manual and the CE marking Declaration of Conformity\*, may cause interference to radio and television reception. Classification requirements are the same for the Federal Communications Commission (FCC) and the Canadian Department of Communications (DOC).

Changes or modifications not expressly approved by NI could void the user's authority to operate the equipment under the FCC Rules.

### Class A

#### Federal Communications Commission

This equipment has been tested and found to comply with the limits for a Class A digital device, pursuant to part 15 of the FCC Rules. These limits are designed to provide reasonable protection against harmful interference when the equipment is operated in a commercial environment. This equipment generates, uses, and can radiate radio frequency energy and, if not installed and used in accordance with the instruction manual, may cause harmful interference to radio communications. Operation of this equipment in a residential area is likely to cause harmful interference in which case the user is required to correct the interference at their own expense.

#### Canadian Department of Communications

This Class A digital apparatus meets all requirements of the Canadian Interference-Causing Equipment Regulations.

Cet appareil numérique de la classe A respecte toutes les exigences du Règlement sur le matériel brouilleur du Canada.

### Compliance to EU Directives

Users in the European Union (EU) should refer to the Declaration of Conformity (DoC) for information pertaining to the CE marking. Refer to the Declaration of Conformity (DoC) for this product for any additional regulatory compliance information. To obtain the DoC for this product, visit [ni.com/hardref.nsf](http://ni.com/hardref.nsf), search by model number or product line, and click the appropriate link in the Certification column.

\* The CE marking Declaration of Conformity contains important supplementary information and instructions for the user or installer.

# Contents

---

## About This Manual

Conventions .....	ix
Related Documentation.....	x

## Chapter 1

### Introduction

About the 7330 Controller .....	1-1
Features.....	1-1
Hardware .....	1-1
RTSI .....	1-2
What You Need to Get Started .....	1-2
Software Programming Choices .....	1-3
National Instruments Application Software .....	1-3
Optional Equipment .....	1-4
Motion I/O Connections .....	1-4

## Chapter 2

### Configuration and Installation

Software Installation .....	2-1
Controller Configuration.....	2-1
Safety Information .....	2-2
Hardware Installation.....	2-4

## Chapter 3

### Hardware Overview

User Connectors.....	3-3
----------------------	-----

## Chapter 4

### Functional Overview

Dual Processor Architecture .....	4-1
Embedded Real-Time Operating System (RTOS) .....	4-1
Trajectory Generators .....	4-2
Analog Feedback .....	4-2
Flash Memory .....	4-2

Axes and Motion Resources .....	4-3
Axes .....	4-3
Motion Resources .....	4-4
Host Communications .....	4-4

## **Chapter 5**

### **Signal Connections**

Motion I/O Connector .....	5-1
Motion Axis Signals.....	5-3
Limit and Home Inputs .....	5-5
Wiring Concerns.....	5-5
Limit and Home Input Circuit .....	5-6
Encoder Signals.....	5-6
Encoder <1..4> Phase A/Phase B .....	5-7
Encoder <1..4> Index .....	5-7
Wiring Concerns.....	5-8
Encoder Input Circuit .....	5-9
Trigger Inputs, Shutdown Input, and Breakpoint Outputs.....	5-9
Wiring Concerns.....	5-10
Trigger Input, Shutdown Input, and Breakpoint Output Circuits.....	5-11
Analog Inputs .....	5-12
Wiring Concerns.....	5-13
Other Motion I/O Connection .....	5-13
Digital I/O Connector .....	5-14
PWM Features.....	5-15
RTSI Connector.....	5-15
RTSI Signal Considerations.....	5-15

## **Appendix A**

### **Specifications**

## **Appendix B**

### **Cable Connector Descriptions**

## **Appendix C**

### **Technical Support and Professional Services**

## **Glossary**

## **Index**

# About This Manual

---




This manual describes the electrical and mechanical aspects of the PXI/PCI-7330 and contains information about how to operate and program the device.

The 7330 is designed for PXI, compact PCI, and PCI bus computers.

## Conventions

---

The following conventions appear in this manual:

- <> Angle brackets that contain numbers separated by an ellipsis represent a range of values associated with a bit or signal name—for example, DIO<3..0>.
- » The » symbol leads you through nested menu items and dialog box options to a final action. The sequence **File»Page Setup»Options** directs you to pull down the **File** menu, select the **Page Setup** item, and select **Options** from the last dialog box.
- ◆ The ◆ symbol indicates that the following text applies only to a specific product, a specific operating system, or a specific software version.
-  This icon denotes a tip, which alerts you to advisory information.
-  This icon denotes a note, which alerts you to important information.
-  This icon denotes a caution, which advises you of precautions to take to avoid injury, data loss, or a system crash. When this symbol is marked on a product, refer to the *Safety Information* section of Chapter 2, *Configuration and Installation*, for information about precautions to take.
- bold** Bold text denotes items that you must select or click in the software, such as menu items and dialog box options. Bold text also denotes parameter names.

*italic*

Italic text denotes variables, emphasis, a cross reference, or an introduction to a key concept. This font also denotes text that is a placeholder for a word or value that you must supply.

monospace

Text in this font denotes text or characters that you should enter from the keyboard, sections of code, programming examples, and syntax examples. This font is also used for the proper names of disk drives, paths, directories, programs, subprograms, subroutines, device names, functions, operations, variables, filenames and extensions, and code excerpts.

## **Related Documentation**

---

The following documents contain information you might find helpful as you read this manual:

- *NI-Motion User Manual*
- *NI-Motion C Reference Help*
- *NI-Motion VI Reference Help*



---

# Introduction

This chapter includes information about the features of the National Instruments PXI/PCI-7330 controller and information about operating the device.

## About the 7330 Controller

---

The 7330 controller features advanced motion control with easy-to-use software tools and add-on motion VI libraries for use with LabVIEW.

### Features

The 7330 controller is a stepper motor controller for PXI and PCI. The 7330 provides fully programmable motion control for up to four independent or coordinated axes of motion, with dedicated motion I/O for limit and home switches and additional I/O for general-purpose functions.

You can use the 7330 motion controller for point-to-point and straight-line vector moves for stepper motor applications. The 7330 controller adds the ability to perform arbitrary and complex motion trajectories using stepper motors.

Stepper axes can operate in open or closed-loop mode. In closed-loop mode, stepper axes use quadrature encoders or analog inputs for position and velocity feedback (closed-loop only), and provide step/direction or clockwise (CW)/counter-clockwise (CCW) digital command outputs. All stepper axes support full, half, and microstepping applications.

### Hardware

The 7330 uses an advanced dual-processor architecture that uses a 32-bit CPU, combined with a digital signal processor (DSP) and custom field programmable gate arrays (FPGAs), making the controller a high-performance device. The first-in, first-out (FIFO) bus interface and powerful function set provide high-speed communications while off-loading complex motion functions from the host PC for optimum command throughput and system performance.

Each axis of the 7330 has motion I/O for end-of-travel limit and home switch inputs, breakpoint output, trigger input, and encoder feedback. Refer to Appendix A, *Specifications*, for information about the encoder feedback rates. The 7330 also has non-dedicated user I/O including 32 bits of digital I/O and four analog inputs for  $\pm 10$  V signals, joystick inputs, or monitoring of analog sensors. Additionally, the 7330 analog inputs can provide feedback for loop closure.

## RTSI

The 7330 supports the National Instruments Real-Time System Integration (RTSI) bus. The RTSI bus provides high-speed connectivity between National Instruments products, including image acquisition (IMAQ) and data acquisition (DAQ) products. Using the RTSI bus, you can easily synchronize several functions to a common trigger or timing event across multiple motion, IMAQ, or DAQ devices.

## What You Need to Get Started

---

To set up and use the 7330 controller, you must have the following items:

- NI PXI-7330 or PCI-7330 motion controller
- This manual
- NI-Motion 6.1 or later driver software and documentation
- One of the following software packages and documentation:
  - LabVIEW 6.0 or later
  - LabWindows™/CVI™
  - Measurement Studio
  - C/C++
  - Microsoft Visual Basic
- A computer with an available PXI or PCI slot

# Software Programming Choices

---

NI-Motion is a simple but powerful high-level application programming interface (API) that makes programming the 7330 easy. All setup and motion control functions are easily executed by calling into a dynamically-linked library (DLL). You can call these libraries from C, Microsoft Visual Basic, and other high-level languages. Full function sets are available for LabVIEW, LabWindows/CVI, and other industry-standard software programs.

## National Instruments Application Software

---

LabVIEW is based on the graphical programming language, G, and features interactive graphics and a state-of-the-art user interface. In LabVIEW, you can create 32-bit compiled programs and stand-alone executables for custom automation, data acquisition, test, measurement, and control solutions. National Instruments offers NI-Motion driver software support for LabVIEW, which includes a series of virtual instruments (VIs) for using LabVIEW with National Instruments motion control hardware. The NI-Motion VI library implements the full NI-Motion API and a powerful set of demo functions; example programs; and fully operational, high-level application routines.

ANSI C-based LabWindows/CVI also features interactive graphics and a state-of-the-art user interface. Using LabWindows/CVI, you can generate C code for custom data acquisition, test, and measurement and automation solutions. NI-Motion includes a series of sample programs for using LabWindows/CVI with National Instruments motion control hardware.

## Optional Equipment

---

National Instruments offers a variety of products for use with the 7330 controller, including the following accessories:

- Cables and cable assemblies for motion and digital I/O
- Universal Motion Interface (UMI) wiring connectivity blocks with integrated motion signal conditioning and motion inhibit functionality
- Stepper compatible drive amplifier units with integrated power supply and wiring connectivity
- Connector blocks and shielded and unshielded 68-pin screw terminal wiring aids

For more specific information about these products, refer to the National Instruments catalog, the National Instruments Web site at [ni.com](http://ni.com), or call your National Instruments sales representative.

## Motion I/O Connections

---

The external motion and digital I/O connectors on the 7330 are high-density, 68-pin female VHDCI connectors.

For custom cables, use the AMP mating connector (part number 787801-1).

---

# Configuration and Installation

This chapter describes how to configure and install the PXI/PCI-7330.

## Software Installation

---

Before installing the 7330, install the NI-Motion driver software. Refer to the *Getting Started with NI Motion Control* manual, which is included with the controller, for specific installation instructions.



**Note** If you do not install the NI-Motion driver software before attempting to use the 7330, the system does not recognize the 7330 and you are unable to configure or use the device.

## Controller Configuration

---

Because motion I/O-related configuration of the 7330 is performed entirely with software, it is not necessary to set jumpers for motion I/O configuration.

The PXI-7330 and PCI-7330 controllers are fully compatible with the industry standard *PXI Specification*, Revision 2.0 and the *PCI Local Bus Specification*, Revision 2.2, respectively. This compatibility allows the PXI or PCI system to automatically perform all bus-related configuration and requires no user interaction. It is not necessary to configure jumpers for bus-related configuration, including setting the device base memory and interrupt channel.

## Safety Information

---



**Caution** The following paragraphs contain important safety information you *must* follow when installing and operating the 7330 and all devices connecting to the 7330.

Do not operate the device in a manner not specified in this document. Misuse of the device can result in a hazard. You can compromise the safety protection built into the device if the device is damaged in any way. If the device is damaged, return it to National Instruments (NI) for repair.

Do not substitute parts or modify the device except as described in this document. Use the device only with the chassis, modules, accessories, and cables specified in the installation instructions. You must have all covers and filler panels installed during operation of the device.

Do not operate the device in an explosive atmosphere or where there may be flammable gases or fumes. If you must operate the device in such an environment, it must be in a suitably rated enclosure.

If you need to clean the device, use a soft, nonmetallic brush. Make sure that the device is completely dry and free from contaminants before returning it to service.

Operate the device only at or below Pollution Degree 2. Pollution is foreign matter in a solid, liquid, or gaseous state that can reduce dielectric strength or surface resistivity. The following is a description of pollution degrees:

- Pollution Degree 1 means no pollution or only dry, nonconductive pollution occurs. The pollution has no influence.
- Pollution Degree 2 means that only nonconductive pollution occurs in most cases. Occasionally, however, a temporary conductivity caused by condensation must be expected.
- Pollution Degree 3 means that conductive pollution occurs, or dry, nonconductive pollution occurs that becomes conductive due to condensation.



**Note** The 7330 is intended for indoor use only.

You must insulate signal connections for the maximum voltage for which the device is rated. Do not exceed the maximum ratings for the device. Do not install wiring while the device is live with electrical signals. Do not

remove or add connector blocks when power is connected to the system. Remove power from signal lines before connecting them to or disconnecting them from the device.

Operate the device at or below the installation category<sup>1</sup> marked on the hardware label. Measurement circuits are subjected to working voltages<sup>2</sup> and transient stresses (overvoltage) from the circuit to which they are connected during measurement or test. Installation categories establish standard impulse withstand voltage levels that commonly occur in electrical distribution systems. The following is a description of installation categories:

- Installation Category I is for measurements performed on circuits not directly connected to the electrical distribution system referred to as MAINS<sup>3</sup> voltage. This category is for measurements of voltages from specially protected secondary circuits. Such voltage measurements include signal levels, special equipment, limited-energy parts of equipment, circuits powered by regulated low-voltage sources, and electronics.
- Installation Category II is for measurements performed on circuits directly connected to the electrical distribution system. This category refers to local-level electrical distribution, such as that provided by a standard wall outlet (for example, 115 AC voltage for U.S. or 230 AC voltage for Europe). Examples of Installation Category II are measurements performed on household appliances, portable tools, and similar devices/modules.
- Installation Category III is for measurements performed in the building installation at the distribution level. This category refers to measurements on hard-wired equipment such as equipment in fixed installations, distribution boards, and circuit breakers. Other examples are wiring, including cables, bus bars, junction boxes, switches, socket outlets in the fixed installation, and stationary motors with permanent connections to fixed installations.
- Installation Category IV is for measurements performed at the primary electrical supply installation (<1,000 V). Examples include electricity meters and measurements on primary overcurrent protection devices and on ripple control units.

---

<sup>1</sup> Installation categories, also referred to as *measurement categories*, are defined in electrical safety standard IEC 61010-1.

<sup>2</sup> Working voltage is the highest rms value of an AC or DC voltage that can occur across any particular insulation.

<sup>3</sup> MAINS is defined as a hazardous live electrical supply system that powers equipment. Suitably rated measuring circuits may be connected to the MAINS for measuring purposes.

# Hardware Installation

---

Install the 7330 in any open compatible expansion slot in the PXI or PCI system. Appendix A, *Specifications*, lists the typical power required for each controller.

The following instructions are for general installation. Consult the computer user manual or technical reference manual for specific instructions and warnings.



**Caution** The 7330 is a sensitive electronic device shipped in an antistatic bag. Open only at an approved workstation and observe precautions for handling electrostatic-sensitive devices.



**Note** When adding or removing a controller from a Windows 2000/NT/XP system, you must be logged on with administrator-level access. After you have restarted the system, you may need to refresh Measurement & Automation Explorer (MAX) to view the new controller.

◆ PXI-7330

1. Power off and unplug the chassis.



**Caution** To protect yourself and the computer from electrical hazards, the computer must remain unplugged until the installation is complete.

2. Choose an unused +3.3 V or +5 V peripheral slot and remove the filler panel.
3. Touch a metal part on the chassis to discharge any static electricity that might be on your clothes or body. Static electricity can damage the controller.
4. Insert the PXI controller into the chosen slot. Use the injector/ejector handle to fully inject the device into place.
5. Screw the front panel of the PXI controller to the front panel mounting rails of the chassis.
6. Visually verify the installation.
7. Plug in and power on the chassis.



## ◆ PCI-7330

1. Power off and unplug the computer.



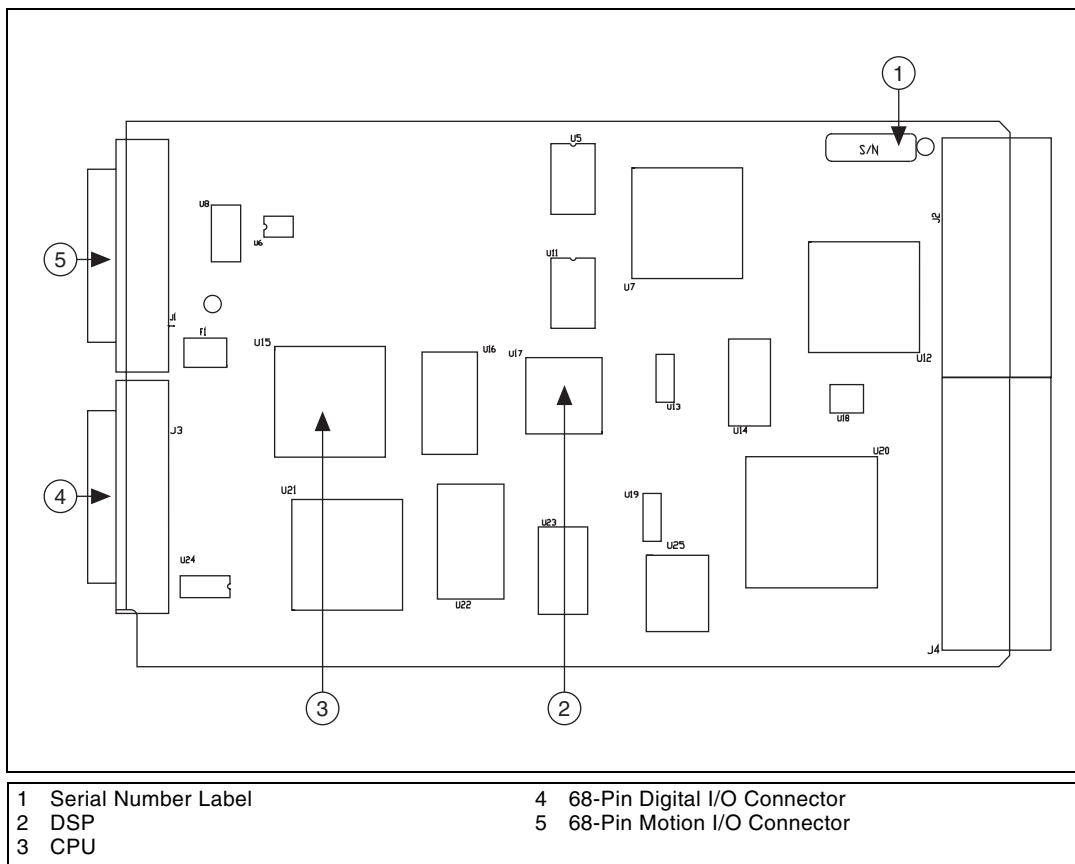
**Caution** To protect yourself and the computer from electrical hazards, the computer must remain unplugged until the installation is complete.

2. Remove the cover to expose access to the PCI expansion slots.
3. Choose an unused 5 V PCI slot, and remove the corresponding expansion slot cover on the back panel of the computer.
4. Touch a metal part on the computer case to discharge any static electricity that might be on your clothes or body before handling the controller. Static electricity can damage the controller.
5. Gently rock the controller into the slot. The connection may be tight, but *do not force* the controller into place.
6. If required, screw the mounting bracket of the controller to the back panel rail of the computer.
7. Replace the cover.
8. Plug in and power on the computer.

## Hardware Overview

This chapter presents an overview of the PXI/PCI-7330 functionality.

Figures 3-1 and 3-3 show the PXI-7330 and PCI-7330 parts locator diagrams, respectively.



**Figure 3-1.** PXI-7330 Parts Locator Diagram



**Note** The PXI-7330 assembly number is located on the back of the PXI module.

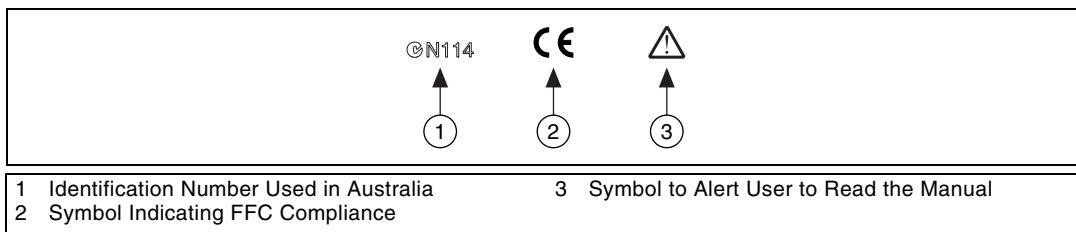


Figure 3-2. Symbols on the Back of the PXI-7330

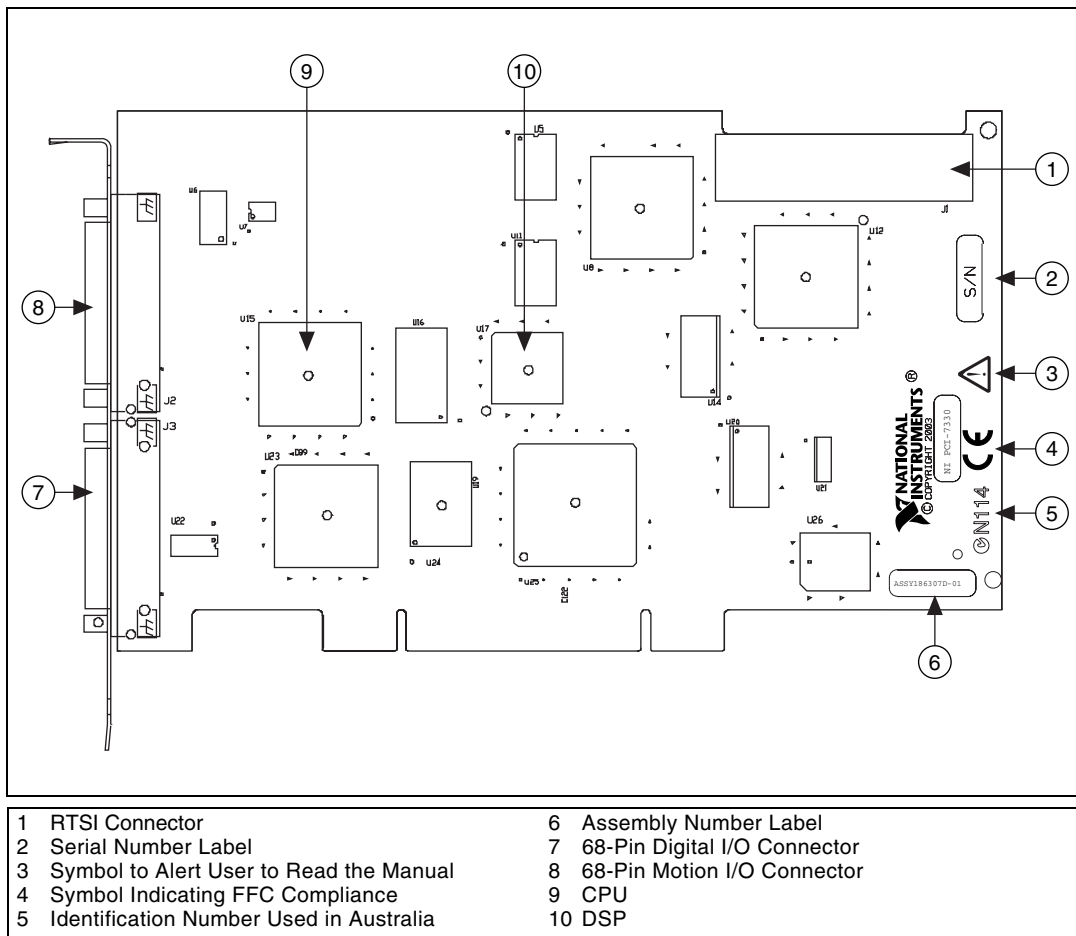


Figure 3-3. PCI-7330 Parts Locator Diagram

# User Connectors

---

The 68-pin motion I/O connector provides all the signals for four axes of closed-loop motion control, including encoder feedback, limit and home inputs, breakpoint outputs, trigger inputs, and analog-to-digital (A/D) converter signals. Refer to Chapter 5, [Signal Connections](#), for details about the signals in the motion I/O connector.

The 68-pin digital I/O connector provides 32 bits of user-configurable digital I/O. Refer to Chapter 5, [Signal Connections](#), for details about the signals in the digital I/O connector.

The PCI-7330 RTSI connector provides up to eight triggers to facilitate synchronization between multiple National Instruments products. The PXI-7330 RTSI-enabled connection provides up to eight triggers and one PXI star trigger to facilitate synchronization between multiple National Instruments PXI-enabled products. Typical applications of the RTSI bus include triggering an image acquisition or DAQ measurement based on motion events, or capturing current motion positions based on events external to the motion controller. You also can use the RTSI bus for general hardware-based communication between RTSI devices.

The RTSI bus also can be used for general-purpose I/O. Refer to Chapter 5, [Signal Connections](#), for details about RTSI connector signals.

---

# Functional Overview

This chapter provides an overview of the motion control algorithms and the PXI/PCI-7330 capabilities.

## Dual Processor Architecture

---

With the 7330, you can perform up to four axes of simultaneous, coordinated motion control in a preemptive, multitasking, real-time environment.

An advanced dual-processor architecture that uses a real-time 32-bit CPU combined with a digital signal processor (DSP) and custom FPGAs give the 7330 controllers high-performance capabilities. The FIFO bus interface and powerful function set provide high-speed communications while off-loading complex motion functions from the host PC for optimized system performance.

The 7330 uses the DSP for all closed-loop control and motion trajectory generation. The DSP chip is supported by custom FPGAs that perform the high-speed encoder interfacing, position capture and breakpoint functions, motion I/O processing, and stepper pulse generation for hard real-time functionality.

The embedded, multitasking real-time CPU handles host communications, command processing, multi-axis interpolation, error handling, general-purpose digital I/O, and overall motion system integration functions.

## Embedded Real-Time Operating System (RTOS)

The embedded firmware is based upon an embedded RTOS kernel and provides optimum system performance in varying motion applications. Motion tasks are prioritized. Task execution order depends on the priority of each task, the state of the entire motion system, I/O or other system events, and the real-time clock.

The DSP chip is a separate processor that operates independently from the CPU but is closely synchronized. The 7330 is a true multiprocessing and multitasking embedded controller.

Refer to the *NI-Motion User Manual* for more information about the features available on the 7330.

## Trajectory Generators

The 7330 controller trajectory generators calculate the instantaneous position command that controls acceleration and velocity while it moves the axis to its target position. This command is then sent to the stepper pulse generator.

To implement infinite trajectory control, the 7330 controller has eight trajectory generators implemented in the DSP chip (two per axis). Each generator calculates an instantaneous position for each update period. While simple point-to-point moves require only one trajectory generator, two simultaneous generators are required for blended moves and infinite trajectory control processing.

## Analog Feedback

The 7330 controllers have an 8-channel multiplexed, 12-bit ADC. The converted analog values are broadcast to both the DSP and CPU through a dedicated internal high-speed serial bus. The multiplexer provides the high sampling rates required for feedback loop closure, joystick inputs, or monitoring analog sensors. Refer to Appendix A, *Specifications*, for the multiplexer scan rate. Four of these channels are intended for calibration, leaving the other four available for analog feedback.

## Flash Memory

Nonvolatile memory on the 7330 controller is implemented with flash ROM, which means that the controllers can electrically erase and reprogram their own ROM. Because all the 7330 embedded firmware, including the RTOS and DSP code, is stored in flash memory, you can upgrade the onboard firmware contents in the field.

It is possible to save the entire parameter state of the controller to the flash memory. On the next power cycle, the controller automatically loads and returns the configuration to these new saved default values.

The FPGA configuration programs are also stored in the flash ROM. At power-up, the FPGAs are booted with these programs, which means that updates to the FPGA programs can be performed in the field.

A flash memory download utility is included with the NI-Motion software that ships with the controller.

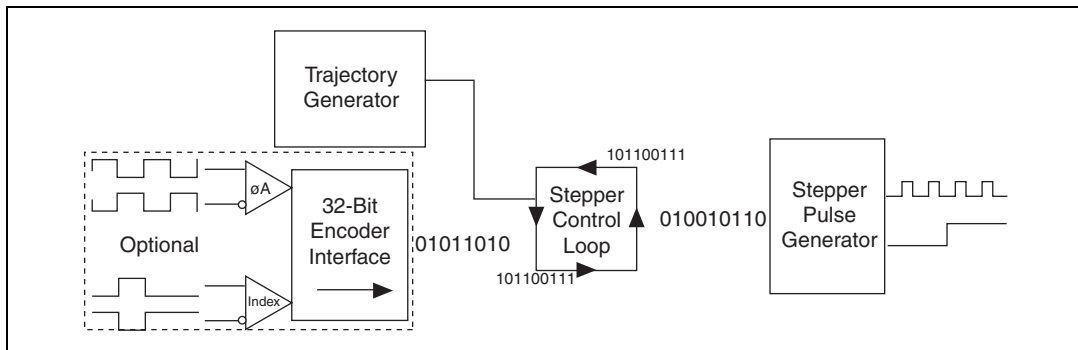
## Axes and Motion Resources

The 7330 controller can control up to four axes of motion. The axes can be completely independent, simultaneously coordinated, or mapped in multidimensional groups called coordinate spaces. You also can synchronize coordinate spaces for multi-vector space coordinated motion control.

### Axes

At a minimum, an axis consists of a trajectory generator, a stepper control block, and a stepper pulse generator output. Closed-loop stepper axes require a feedback resource, while open-loop stepper axes do not. Figure 4-1 shows this axis configuration.

With the 7330 controller, you can map one feedback resource and one or two output resources to the axis.



**Figure 4-1.** Stepper Axis Resources

The 7330 supports axes with secondary output resources. Defining two output resources is useful when controlling axes with multiple motors.



**Note** Refer to the *NI-Motion User Manual* for more information about configuring axes.

## Motion Resources

Encoder, ADC, and motion I/O resources that are not used by an axis are available for non-axis or nonmotion-specific applications. You can directly control an unmapped ADC as a general-purpose analog input ( $\pm 10$  V) to measure potentiometers or other analog sensors.

If an encoder resource is not needed for axis control, you can use it for any number of other functions, including position or velocity monitoring, as a digital potentiometer encoder input, or as a master encoder input for master/slave (electronic gearing) applications.

Each axis also has an associated forward and reverse limit input, a home input, a high-speed capture trigger input, a breakpoint output, and an inhibit output. These signals can be used for general-purpose digital I/O when they are not being used for their motion-specific purpose.

## Host Communications

---

The host computer communicates with the controller through a number of memory port addresses on the host bus. The host bus can be either PXI or PCI.

The primary bidirectional data transfer port supports FIFO data passing in both send and readback directions. The 7330 controller has both a command buffer for incoming commands and a return data buffer (RDB) for returning data.

The communications status register (CSR) provides bits for communications handshaking as well as real-time error reporting and general status feedback to the host PC. The move complete status (MCS) register provides instantaneous motion status of all axes.



---

# Signal Connections

This chapter includes instructions on how to make input and output signal connections directly to the PXI/PCI-7330 as well as general information about the associated I/O circuitry.

The 7330 has three connectors that handle all signals to and from the external motion system:

- 68-pin motion I/O connector
- 68-pin digital I/O connector
- RTSI connector

You can connect to your motion system with cables and accessories, varying from simple screw terminal blocks to enhanced Universal Motion Interface (UMI) units and drives.



**Note** The 7330 does not provide isolation between circuits.



**Caution** Power off all devices when connecting or disconnecting the 7330 controller motion I/O and auxiliary digital I/O cables. Failure to do so may damage the controller.

---

## Motion I/O Connector

The motion I/O connector contains all of the signals required to control up to four axes of stepper motion, including the following features:

- Motor command stepper outputs
- Encoder feedback inputs
- Forward, home, and reverse limit inputs
- Breakpoint outputs
- Trigger inputs
- Inhibit outputs

The motion I/O connector also contains four channels of 12-bit A/D inputs for analog feedback or general-purpose analog input.

Figure 5-1 shows the pin assignments for the 68-pin motion I/O connector on the 7330. Table 5-1 includes descriptions for each of the signals. A line above a signal name indicates that the signal is active-low.

Axis 1 Dir (CCW)	1	35	Axis 1 Step (CW)
Digital Ground	2	36	Axis 1 Encoder Phase A
Digital Ground	3	37	Axis 1 Encoder Phase B
Axis 1 Home Switch	4	38	Axis 1 Encoder $\overline{\text{Index}}$
Trigger 1	5	39	Axis 1 Forward Limit Switch
Axis 1 Inhibit	6	40	Axis 1 Reverse Limit Switch
Axis 2 Dir (CCW)	7	41	Axis 2 Step (CW)
Digital Ground	8	42	Axis 2 Encoder Phase A
Digital Ground	9	43	Axis 2 Encoder Phase B
Axis 2 Home Switch	10	44	Axis 2 Encoder $\overline{\text{Index}}$
Trigger 2	11	45	Axis 2 Forward Limit Switch
Axis 2 Inhibit	12	46	Axis 2 Reverse Limit Switch
Axis 3 Dir (CCW)	13	47	Axis 3 Step (CW)
Digital Ground	14	48	Axis 3 Encoder Phase A
Digital Ground	15	49	Axis 3 Encoder Phase B
Axis 3 Home Switch	16	50	Axis 3 Encoder $\overline{\text{Index}}$
Trigger 3	17	51	Axis 3 Forward Limit Switch
Axis 3 Inhibit	18	52	Axis 3 Reverse Limit Switch
Axis 4 Dir (CCW)	19	53	Axis 4 Step (CW)
Digital Ground	20	54	Axis 4 Encoder Phase A
Digital Ground	21	55	Axis 4 Encoder Phase B
Axis 4 Home Switch	22	56	Axis 4 Encoder $\overline{\text{Index}}$
Trigger 4	23	57	Axis 4 Forward Limit Switch
Axis 4 Inhibit	24	58	Axis 4 Reverse Limit Switch
Digital Ground	25	59	Host +5 V
Breakpoint 1	26	60	Breakpoint 2
Breakpoint 3	27	61	Breakpoint 4
Digital Ground	28	62	Shutdown
Reserved	29	63	Reserved
Reserved	30	64	Reserved
Reserved	31	65	Reserved
Analog Input 1	32	66	Analog Input 2
Analog Input 3	33	67	Analog Input 4
Analog Reference (Output)	34	68	Analog Input Ground

**Figure 5-1.** 68-Pin Motion I/O Connector Pin Assignments

**Table 5-1.** Motion I/O Signal Connections

Signal Name	Reference	Direction	Description
Axis <1..4> Dir (CCW)	Digital Ground	Output	Motor direction or counter-clockwise control
Axis <1..4> Step (CW)	Digital Ground	Output	Motor step or clockwise control
Axis <1..4> Encoder Phase A	Digital Ground	Input	Closed-loop only—phase A encoder input
Axis <1..4> Encoder Phase B	Digital Ground	Input	Closed-loop only—phase B encoder input
Axis <1..4> Encoder $\overline{\text{Index}}$	Digital Ground	Input	Closed-loop only—index encoder input
Axis <1..4> Home Switch	Digital Ground	Input	Home switch
Axis <1..4> Forward Limit Switch	Digital Ground	Input	Forward/clockwise limit switch
Axis <1..4> Reverse Limit Switch	Digital Ground	Input	Reverse/counter-clockwise limit switch
Axis <1..4> $\overline{\text{Inhibit}}$	Digital Ground	Output	Drive inhibit
Trigger <1..4>	Digital Ground	Input	High-speed position capture trigger input <1..4>
Breakpoint <1..4>	Digital Ground	Output	Breakpoint output <1..4>
Host +5 V	Digital Ground	Output	+5 V—host computer +5 V supply
Analog Input Ground	—	—	Reference for analog inputs
Analog Input <1..4>	Analog Input Ground	Input	12-bit analog input
Shutdown	Digital Ground	Input	Controlled device shutdown
Analog Reference (output)	Analog Input Ground	Output	+7.5 V—analog reference level
Digital Ground	—	—	Reference for digital I/O

## Motion Axis Signals

The following signals control the stepper driver:

- Axis <1..4> Step (CW) and Dir (CCW)—These open-collector signals are the stepper command outputs for each axis. The 7330 supports both major industry standards for stepper command signals: step and direction, or independent CW and CCW pulse outputs.

The output configuration and signal polarity is software programmable for compatibility with various third-party drives, as follows:

- When step and direction mode is configured, each commanded step (or microstep) produces a pulse on the step output. The direction output signal level indicates the command direction of motion, either forward or reverse.
- CW and CCW mode produces pulses (steps) on the CW output for forward-commanded motion and pulses on the CCW output for reverse-commanded motion.

In either case, you can set the active polarity of both outputs to active-low (inverting) or active-high (non-inverting). For example, with step and direction, you can make a logic high correspond to either forward or reverse direction.

The Step (CW) and Dir (CCW) outputs are driven by high-speed open-collector TTL buffers that feature 64 mA sink current capability and built-in 3.3 k $\Omega$  pull-up resistors to +5 V.



**Caution** Do *not* connect these outputs to anything other than a +5 V circuit. The output buffers will fail if subjected to voltages in excess of +5.5 V.

- Axis <1..4> Inhibit—Use the inhibit output signals to control the enable/inhibit function of a stepper driver. When properly connected and configured, the inhibit function causes the connected motor to be de-energized and its shaft turns freely. These open-collector inhibit signals feature 64 mA current sink capability with built-in 3.3 k $\Omega$  pull-up resistors to +5 V, and can directly drive most driver/amplifier inhibit input circuits.

While the industry standard for inhibits is active-low (inverting), these outputs have programmable polarity and can be set to active-high (non-inverting) for increased flexibility and unique drive compatibility.

Inhibit output signals can be activated automatically upon a shutdown condition, a Kill Motion command, or any motion error that causes a kill motion condition, such as following error trip. You also can directly control the inhibit output signals to enable or disable a driver or amplifier.

## Limit and Home Inputs

The following signals control limit and home inputs:

- Axis <1..4> Forward Limit Input
- Axis <1..4> Home Input
- Axis <1..4> Reverse Limit Input

These inputs are typically connected to limit switches located at physical ends of travel and/or at a specific home position. Limit and home inputs can be software enabled or disabled at any time. When enabled, an active transition on a limit or home input causes a full torque halt stop of the associated motor axis. In addition, an active forward or reverse limit input impedes future commanded motion in that direction for as long as the signal is active.



**Note** By default, limit and home inputs are digitally filtered and must remain active for at least 1 ms to be recognized. You can use MAX to disable digital filtering for limit and home inputs. Active signals should remain active to prevent motion from proceeding further into the limit. Pulsed limit signals stop motion, but they do not prevent further motion in that direction if another move is started.

The input polarity of these signals is software programmable for active-low (inverting) or active-high (non-inverting).

You can use software disabled limit and home inputs as general-purpose inputs. You can read the status of these inputs at any time and set and change their polarity as required.

Limit and home inputs are a per axis enhancement on the 7330 controller and are not required for basic motion control. These inputs are part of a system solution for complete motion control.



**Caution** National Instruments recommends using limits for personal safety, as well as to protect the motion system.

## Wiring Concerns

For the end of travel limits to function correctly, the forward limit must be located at the forward or positive end of travel, and the reverse limit at the negative end of travel.



**Caution** Failure to follow these guidelines may result in motion that stops at, but then travels through, a limit, potentially damaging the motion system. Miswired limits may prevent motion from occurring at all.

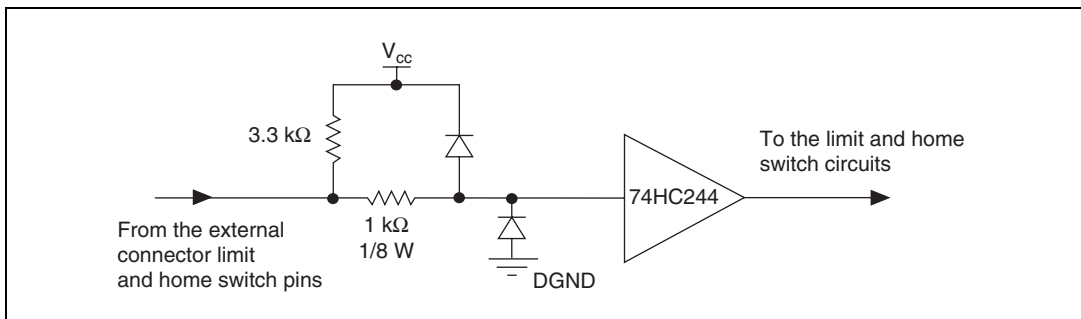
Keep limit and home switch signals and their ground connections wired separately from the motor driver/amplifier signal and encoder signal connections.



**Caution** Wiring these signals near each other can cause faulty motion system operation due to signal noise and crosstalk.

## Limit and Home Input Circuit

By default, all limit and home inputs are digitally filtered and must be active for at least 1 ms. You can use MAX to disable digital filtering for limit and home inputs. Figure 5-2 shows a simplified schematic diagram of the circuit used by the limit and home switch inputs for input signal buffering and detection.



**Figure 5-2.** Limit and Home Input Circuit



**Caution** Excessive input voltages can cause erroneous operation and/or component failure. Verify that your input voltage is within the specification range.

## Encoder Signals

The 7330 offers four channels of single-ended quadrature encoder inputs. All National Instruments power drives and UMI accessories provide built-in circuitry that converts differential encoder signals to single-ended encoder signals. Each channel consists of a Phase A, Phase B, and Index input, as described in the following sections.

## Encoder <1..4> Phase A/Phase B

The encoder inputs provide position and velocity feedback for absolute and relative positioning of axes in any motion system configuration.

If an encoder resource is not needed for axis control, it is available for other functions, including position or velocity monitoring, digital potentiometer encoder inputs, or as a master encoder input for master/slave electronic gearing applications.

The encoder channels (Encoder <1..4>) are implemented in an FPGA and are high performance with extended input frequency response and advanced features, such as high-speed position capture inputs and breakpoint outputs. The encoders have a maximum count frequency of 20 MHz.

An encoder input channel converts quadrature signals on Phase A and Phase B into 32-bit up/down counter values. Quadrature signals are generated by optical, magnetic, laser, or electronic devices that provide two signals, Phase A and Phase B, that are 90° out of phase. The leading phase, A or B, determines the direction of motion. The four transition states of the relative signal phases provide distinct pulse edges that cause count up or count down pulses in the direction determined by the leading phase.

A typical encoder with a specification of  $N$  ( $N$  = number) lines per unit of measure, which can be revolutions or linear distance, produces  $4 \times N$  quadrature counts per unit of measure. The count is the basic increment of position in NI-Motion systems.

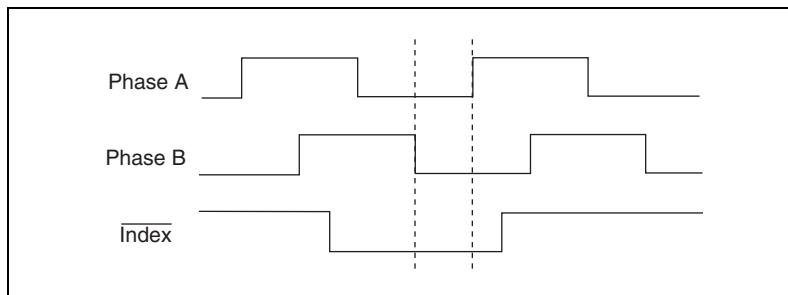


**Tip** Determine quadrature counts by multiplying the encoder resolution in encoder lines by four. The encoder resolution is the number of encoder lines between consecutive encoder marker or Z-bit indexes. If the encoder does not have an index output, the resolution is referred to as lines per revolution, or lines per unit of measure, such as inch, centimeter, millimeter, and so on.

## Encoder <1..4> Index

The Index input is primarily used to establish a reference position. This function uses the number of counts per revolution or the linear distance to initiate a search move that locates the index position. When a valid Index signal transition occurs during a Find Reference routine, the position of the Index signal is captured accurately. Use this captured position to establish a reference zero position for absolute position control or any other motion system position reference required.

The default MAX settings guarantee that the Find Index routine completes successfully if the encoder generates a high index pulse when phases A and B are low and the encoder is connected through an NI UMI or drive accessory. Figure 5-3 shows the default encoder phasing diagram at the inputs to the controller.



**Figure 5-3.** Quadrature Encoder Phasing Diagram

You can set the index reference criteria in MAX to change the pattern of phases A and B for the index search. You also can set the encoder polarity for phases A, B, and I in MAX.

## Wiring Concerns

The encoder inputs are connected to quadrature decoder/counter circuits. It is very important to minimize noise at this interface. Excessive noise on these encoder input signals may result in loss of counts or extra counts and erroneous closed-loop motion operation. Verify the encoder connections before powering up the system.



**Caution** Wire encoder signals and their ground connections separately from all other connections. Wiring these signals near the motor drive/amplifier or other signals can cause positioning errors and faulty operation.

Encoders with differential line driver outputs are strongly recommended for all applications and must be used if the encoder cable length is longer than 3.05 m (10 ft). Shielded, 24 AWG wire is the minimum recommended size for the encoder cable. Cables with twisted pairs and an overall shield are recommended for optimized noise immunity.

All National Instruments power drives and UMI accessories provide built-in circuitry that converts differential encoder signals to single-ended encoder signals.

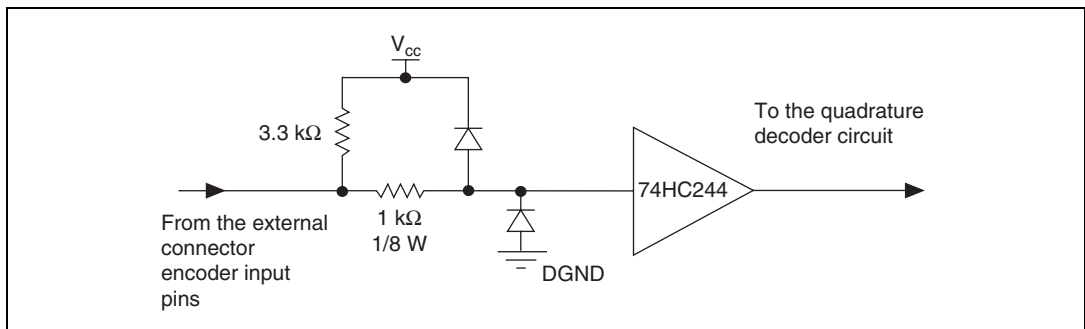




**Caution** Unshielded cable can cause noise to corrupt the encoder signals, resulting in lost counts and reduced motion system accuracy.

## Encoder Input Circuit

Figure 5-4 shows a simplified schematic diagram of the circuit used for the Phase A, Phase B, and Index encoder inputs. Both phases A and B are required for proper encoder counter operation, and the signals must support the 90° phase difference within system tolerance. The encoder and Index signals are conditioned by a software-programmable digital filter inside the FPGA. The Index signal is optional but highly recommended and required for initialization functionality with the Find Index function.



**Figure 5-4.** Encoder Input Circuit

## Trigger Inputs, Shutdown Input, and Breakpoint Outputs

The 7330 offers additional high-performance features in the encoder FPGA. The encoder channels have high-speed position capture trigger inputs and breakpoint outputs. These signals are useful for high-speed synchronization of motion with actuators, sensors, and other parts of the complete motion system:

- **Trigger Input <1..4>**—When enabled, an active transition on a high-speed position capture input causes instantaneous position capture (<100 ns latency) of the corresponding encoder count value. You can use this high-speed position capture functionality for applications ranging from simple position tagging of sensor data to complex camming systems with advance/retard positioning and registration. An available 7330 position mode is to move an axis Relative to Captured Position.

The polarity of the trigger input is programmable in software as active-low (inverting), active-high (non-inverting), rising, or falling edge. You also can use a trigger input as a latching general-purpose digital input by simply ignoring the captured position.

- **Shutdown Input**—When enabled in software, the shutdown input signal can be used to kill all motion by asserting the controller inhibits, setting the analog outputs to 0 V, and stopping any stepper pulse generation. To activate shutdown, the signal must transition from a low to a high state, or rising edge.
- **Breakpoint Output** <1..4>—A breakpoint output can be programmed to transition when the associated encoder value equals the breakpoint position. You can use a breakpoint output to directly control actuators or as a trigger to synchronize data acquisition or other functions in the motion control system.

You can program breakpoints as either *absolute*, *modulo*, or *relative* position. Breakpoint outputs can be preset to a known state so that the transition when the breakpoint occurs can be low to high, high to low, or toggle.

The breakpoint outputs are driven by open-collector TTL buffers that feature 64 mA sink current capability and built in 3.3 k $\Omega$  pull-up resistors to +5 V.

You can directly set and reset breakpoint outputs to use them as general-purpose digital outputs.

## Wiring Concerns



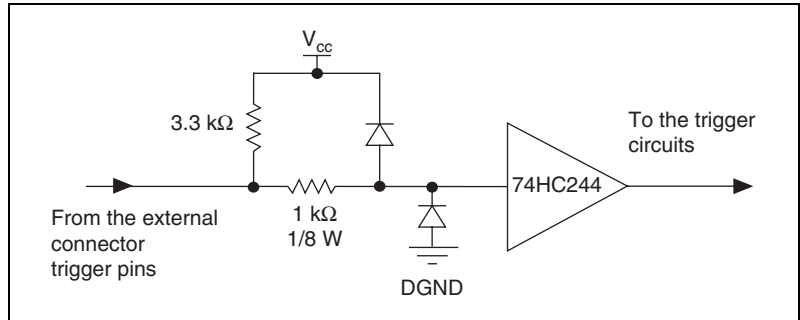
**Caution** Keep trigger input, shutdown input, and breakpoint output signals and their ground connections wired separately from the motor driver/amplifier signal and encoder signal connections. Wiring these signals near each other can cause faulty operation.



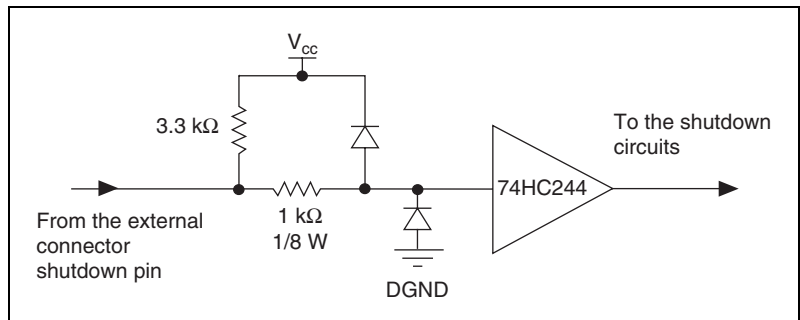
**Caution** Excessive input voltages can cause erroneous operation and/or component failure.

## Trigger Input, Shutdown Input, and Breakpoint Output Circuits

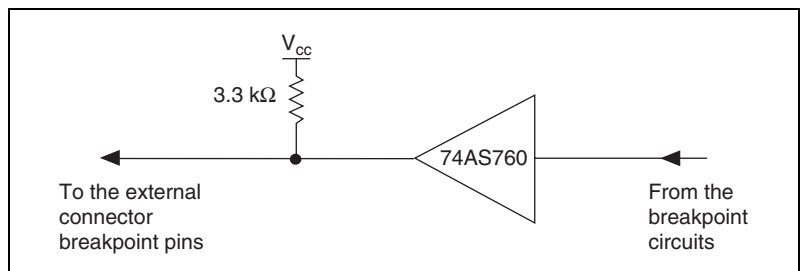
Figures 5-5, 5-6, and 5-7 show a simplified schematic diagram of the circuits used by the trigger inputs, shutdown inputs, and breakpoint outputs for signal buffering.



**Figure 5-5.** Trigger Input Circuit



**Figure 5-6.** Shutdown Input Circuit



**Figure 5-7.** Breakpoint Output Circuit

## Analog Inputs

The 7330 has the following ADC input signals:

- **Analog Input <1..4>**—The 7330 includes an eight-channel multiplexed, 12-bit ADC capable of measuring  $\pm 10$  V,  $\pm 5$  V, 0–10 V, and 0–5 V inputs. ADC channels 1 through 4 are brought out externally on the 68-pin motion I/O connector. ADC channels 5 through 8 are connected internally, as shown in Table 5-2. These signals can be used for ADC test and system diagnostics.

**Table 5-2.** Internal ADC Channels

ADC Input	Signal
5	Filtered +5 V
6	Floating (NC)
7	Analog Reference (7.5 V)
8	Analog Input Ground

You can configure each ADC channel for motion feedback, simple analog-to-digital conversion, or both.

You can read the digital value of analog voltage on any of the eight ADC channels of the controller. Table 5-3 shows the range of values read back and the voltage resolution for each setting. The voltage resolution is in volts per least significant bit (V/LSB).

**Table 5-3.** Analog Input Voltage Ranges

Input Range	Binary Values	Resolution
$\pm 10$ V	–2,048 to 2,047	0.0049 V/LSB
$\pm 5$ V	–2,048 to 2,047	0.0024 V/LSB
0–10 V	0 to 4,095	0.0024 V/LSB
0–5 V	0 to 4,095	0.0012 V/LSB

As indicated in Figure 5-3, when configured as analog feedback, an analog sensor acts like a limited range absolute position device with a full-scale position range. You can map any ADC channel as feedback to any axis.

You can enable and disable individual ADC channels in software. Disable unused ADC channels for the highest multiplexer scan rate performance. When the ADC channels are properly enabled, the scan rate is high enough to support analog feedback at the highest PID sample rate.

- **Analog Reference**—For convenience, 7.5 V (nominal) analog reference voltage is available. You can use this output as a low-current supply to sensors that require a stable reference. Refer to Appendix A, *Specifications*, for analog reference voltage specifications.
- **Analog Input Ground**—To help keep digital noise out of the analog input, a separate return connection is available. Use this reference ground connection and not Digital Ground (digital I/O reference) as the reference for the analog inputs.

## Wiring Concerns

For proper use of each ADC input channel, the analog signal to be measured should be connected to the channel input and its ground reference connected to the Analog Input Ground.



**Note** The analog reference output is an output signal only and must not connect to an external reference voltage. Connect the common of the external reference to the Analog Input Ground pin for proper A/D reference and improved voltage measurement.

## Other Motion I/O Connection

The 7330 provides the following other motion I/O connection:

- **Host +5 V**—This signal is the internal +5 V supply of the host computer. It is typically used to detect when the host computer is powered on and to shut down external motion system components when the host computer is powered off or disconnected from the motion accessory.



**Caution** The host +5 V signal is limited to <100 mA and should not be used to power any external devices, except those intended in the host bus monitor circuits on the UMI and drive products.

## Digital I/O Connector

All the general-purpose digital I/O lines on the 7330 are available on a separate 68-pin digital I/O connector. Figure 5-8 shows the pin assignments for this connector.

+5 V	1	35	Digital Ground
PCLK	2	36	Digital Ground
Reserved	3	37	Digital Ground
Reserved	4	38	DPull
PWM1	5	39	Digital Ground
Reserved	6	40	Reserved
Reserved	7	41	Digital Ground
Reserved	8	42	Digital Ground
PWM2	9	43	Digital Ground
Port 1:bit 0	10	44	Port 1:bit 1
Digital Ground	11	45	Port 1:bit 2
Port 1:bit 3	12	46	Digital Ground
Port 1:bit 4	13	47	Port 1:bit 5
Digital Ground	14	48	Port 1:bit 6
Port 1:bit 7	15	49	Digital Ground
Port 2:bit 0	16	50	Digital Ground
Port 2:bit 1	17	51	Port 2:bit 2
Digital Ground	18	52	Port 2:bit 3
Digital Ground	19	53	Port 2:bit 4
Digital Ground	20	54	Port 2:bit 5
Port 2:bit 6	21	55	Digital Ground
Port 2:bit 7	22	56	Digital Ground
Port 3:bit 0	23	57	Port 3:bit 1
Digital Ground	24	58	Port 3:bit 2
Port 3:bit 3	25	59	Digital Ground
Port 3:bit 4	26	60	Port 3:bit 5
Digital Ground	27	61	Port 3:bit 6
Port 3:bit 7	28	62	Digital Ground
Port 4:bit 0	29	63	Port 4:bit 1
Digital Ground	30	64	Port 4:bit 2
Port 4:bit 3	31	65	Digital Ground
Port 4:bit 4	32	66	Port 4:bit 5
Digital Ground	33	67	Port 4:bit 6
Port 4:bit 7	34	68	Digital Ground

**Figure 5-8.** 68-Pin Digital I/O Connector Pin Assignments

The 32-bit digital I/O port is configured in hardware as four 8-bit digital I/O ports. The bits in a port are typically controlled and read with byte-wide bitmapped commands.

All digital I/O lines have programmable direction and polarity. Each output circuit can sink and source 24 mA.

The DPull pin controls the state of the input pins at power-up. Connecting DPull to +5 V or leaving it unconnected configures all pins in all ports for 100 k $\Omega$  pull-ups. Connecting DPull to ground configures the ports for 100 k $\Omega$  pull-downs.

## PWM Features

The 7330 provides two pulse width modulation (PWM) outputs on the digital I/O connector. The PWM outputs generate periodic waveforms whose period and duty cycles can be independently controlled through software commands. The PWM is comparable to a digital representation of an analog value because the duty cycle is directly proportional to the desired output value. PWM outputs are typically used for transmitting an analog value through an optocoupler. A simple lowpass filter turns a PWM signal back into its corresponding analog value. If desired, you can use the PCLK input instead of the internal source as the clock for the PWM generators.

## RTSI Connector

---

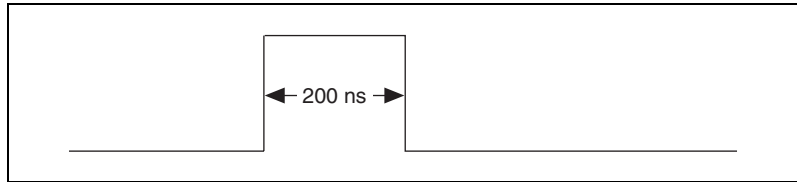
The physical RTSI bus interface varies depending on the type of 7330 controller.

The PXI-7330 uses the PXI chassis backplane to connect to other RTSI-capable devices.

The PCI-7330 uses a ribbon cable to connect to other RTSI-capable PCI devices.

## RTSI Signal Considerations

The 7330 motion controller allows you to use up to eight RTSI trigger lines as sources for trigger inputs, or as destinations for breakpoint outputs and encoder signals. The RTSI trigger lines also can serve as a generic digital I/O port. The RTSI star trigger line can be used only for a trigger input. Breakpoint outputs are output-only signals that generate an active-high pulse of 200 ns duration, as shown in Figure 5-9.



**Figure 5-9.** Breakpoint across RTSI

Encoder and Index signals are output-only signals across RTSI that are the digitally-filtered versions of the raw signals coming into the controller. If you are using the RTSI bus for trigger inputs or generic digital I/O, all signals are passed through unaltered.



# Specifications

This appendix lists the hardware and software performance specifications for the PXI/PCI-7330. Hardware specifications are typical at 25 °C, unless otherwise stated.

## Stepper Performance

Trajectory update rate range ..... 62.5 to 500  $\mu$ s/sample  
 Maximum update rate ..... 62.5  $\mu$ s/axis  
 4-axis update rate ..... 250  $\mu$ s total

Multi-axis synchronization ..... <1 update sample

### Position accuracy

Open-loop stepper ..... 1 full, half, or microstep  
 Encoder feedback .....  $\pm 1$  quadrature count  
 Analog feedback .....  $\pm 1$  LSB

### Double-buffered trajectory parameters

Position range .....  $\pm 2^{31}$  steps  
 Maximum relative move size .....  $\pm 2^{31}$  steps  
 Velocity range ..... 1 to 4,000,000 steps/s  
 Acceleration/deceleration<sup>1</sup> .....  $\pm 512,000,000$  counts/s<sup>2</sup>  
 S-curve time range ..... 1 to 32,767 samples  
 Following error range ..... 0 to 32,767 counts  
 Gear ratio .....  $\pm 32,767:1$  to  $\pm 1:32,767$

### Stepper outputs

Maximum pulse rate ..... 4 MHz (full, half, and microstep)  
 Minimum pulse width ..... 120 ns at 4 MHz  
 Step output mode ..... Step and direction or CW/CCW

<sup>1</sup> Assumes a PID update rate of 250  $\mu$ s and a 2,000-count encoder.

Voltage range.....	0 to 5 V
Output low voltage.....	<0.6 V at 64 mA sink
Output high voltage.....	Open collector with built-in 3.3 kΩ pull-up to +5 V
Polarity .....	Programmable, active-high or active-low

## System Safety

Watchdog timer function.....	Resets board to startup state
Watchdog timeout .....	63 ms

### Shutdown input

Voltage range.....	0 to 5 V
Input low voltage.....	0.8 V
Input high voltage.....	2 V
Polarity .....	Rising edge
Control.....	Disable all axes and command outputs

## Motion I/O

Encoder inputs .....	Quadrature, incremental, single-ended
Maximum count rate.....	20 MHz
Minimum pulse width.....	Programmable; depends on digital filter settings
Voltage range.....	0 to 5 V
Input low voltage.....	0.8 V
Input high voltage.....	2 V
Minimum index pulse width.....	Programmable; depends on digital filter settings

### Forward, reverse, and home inputs

Number of inputs.....	12 (3 per axis)
Voltage range.....	0 to 5 V
Input low voltage.....	0.8 V
Input high voltage.....	2 V
Polarity .....	Programmable, active-high or active-low

Minimum pulse width.....	1 ms with filter enabled; 60 ns without filter enabled
Control .....	Individual enable/disable, stop on input, prevent motion, Find Home
<b>Trigger inputs</b>	
Number of inputs .....	4 (Encoders 1 through 4)
Voltage range.....	0 to 5 V
Input low voltage .....	0.8 V
Input high voltage .....	2 V
Polarity .....	Programmable, active-high or active-low
Minimum pulse width.....	100 ns
Capture latency .....	<100 ns
Capture accuracy.....	1 count
Maximum repetitive capture rate....	100 Hz
<b>Breakpoint outputs</b>	
Number of outputs .....	4 (Encoders 1 through 4)
Voltage range.....	0 to 5 V
Output low voltage .....	<0.6 V at 64 mA sink
Output high voltage .....	Open collector with built-in 3.3 k $\Omega$ pull-up to +5 V
Polarity .....	Programmable, active-high or active-low
Maximum repetitive breakpoint rate .....	100 Hz
<b>Inhibit/enable output</b>	
Number of outputs .....	4 (1 per axis)
Voltage range.....	0 to 5 V
Output low voltage .....	<0.6 V at 64 mA sink
Output high voltage .....	Open collector with built-in 3.3 k $\Omega$ pull-up to +5 V
Polarity .....	Programmable, active-high or active-low
Control .....	MustOn/MustOff or automatic when axis off

Analog inputs

Number of inputs .....	8 multiplexed, single ended
Number for user signals .....	4
Number for system diagnostics ...	4
Voltage range (programmable).....	$\pm 10$ V, $\pm 5$ V, 0–10 V, 0–5 V
Input resistance .....	10 k $\Omega$ min
Input coupling.....	DC
Resolution.....	12 bits, no missing codes
Monotonic.....	Guaranteed
Multiplexor scan rate .....	25 $\mu$ s/enabled channel

Analog reference output .....7.5 V (nominal) @ 5 mA

## Digital I/O

Ports .....	4, 8-bit ports
Line direction.....	Individual bit programmable

Inputs

Voltage range.....	0 to 5 V
Input low voltage.....	0.8 V
Input high voltage.....	2.0 V
Polarity .....	Programmable, active-high or active-low

Outputs

Voltage range.....	0 to 5 V
Output low voltage .....	<0.45 V at 24 mA sink
Output high voltage .....	>2.4 V at 24 mA source
Polarity .....	Programmable, active-high or active-low

PWM outputs

Number of PWM outputs .....	2
Maximum PWM frequency.....	50 kHz
Resolution.....	8-bit
Duty cycle range.....	0 to (255/256)%
Clock sources .....	Internal or external

## RTSI

Trigger lines ..... 7

## Maximum Power Requirements

+5 V ( $\pm 3\%$ ) ..... 1 A

+12 V ( $\pm 3\%$ ) ..... 30 mA

-12 V ( $\pm 3\%$ ) ..... 30 mA

Power consumption ..... 5.7 W

## Physical

### Dimensions (Not Including Connectors)

PXI-7330 ..... 16 × 10 cm (6.3 × 3.9 in.)

PCI-7330 ..... 17.5 × 9.9 cm (6.9 × 3.9 in.)

### Connectors

Motion I/O connector ..... 68-pin female high-density  
VHDCI type

32-bit digital I/O connector ..... 68-pin female high-density  
VHDCI type

### Weight

PCI-7330 ..... 113 g (4 oz)

PXI-7330 ..... 170 g (6 oz)

## Maximum Working Voltage

Channel-to-earth .....	12 V, Installation Category 1 (signal voltage plus common-mode voltage)
Channel-to-channel.....	22 V, Installation Category 1 (signal voltage plus common-mode voltage)



**Caution** These values represent the maximum allowable voltage between any accessible signals on the controller. To determine the acceptable voltage range for a particular signal, refer to the individual signal specifications.

## Environment

Operating temperature .....	0 to 55 °C
Storage temperature .....	-20 to 70 °C
Humidity .....	10 to 90% RH, noncondensing
Maximum altitude.....	2,000 m
Pollution Degree .....	2

## Safety

This product is designed to meet the requirements of the following standards of safety for electrical equipment for measurement, control, and laboratory use:

- IEC 61010-1, EN 61010-1
- UL 3111-1, UL 61010B-1
- CAN/CSA C22.2 No. 1010.1



**Note** For UL and other safety certifications, refer to the product label or visit [ni.com/hardref.nsf](http://ni.com/hardref.nsf), search by model number or product line, and click the appropriate link in the Certification column.

## Electromagnetic Compatibility

Emissions ..... EN 55011 Class A at 10 m  
FCC Part 15A above 1 GHz

Immunity ..... EN 61326:1997 + A2:2001,  
Table 1

CE, C-Tick, and FCC Part 15 (Class A) Compliant



**Note** For EMC compliance, you *must* operate this device with shielded cabling.

## CE Compliance

This product meets the essential requirements of applicable European Directives, as amended for CE marking, as follows:

Low-Voltage Directive (safety) ..... 73/23/EEC

Electromagnetic Compatibility  
Directive (EMC) ..... 89/336/EEC



**Note** Refer to the Declaration of Conformity (DoC) for this product for any additional regulatory compliance information. To obtain the DoC for this product, visit [ni.com/hardref.nsf](http://ni.com/hardref.nsf), search by model number or product line, and click the appropriate link in the Certification column.

## Cable Connector Descriptions

This appendix describes the connector pinout for the cables that connect to the PXI/PCI-7330.

Figure B-1 shows the pin assignments for the stepper 50-pin motion connectors. These connectors are available when you use the SH68-C68-S shielded cable assembly and the 68M-50F step/servo bulkhead cable adapter.

Axis 1 Dir (CCW)	1	2	Axis 1 Step (CW)
Digital Ground	3	4	Axis 1 Encoder Phase A
Digital Ground	5	6	Axis 1 Encoder Phase B
Axis 1 Home Switch	7	8	Axis 1 Encoder $\overline{\text{Index}}$
Trigger/Breakpoint 1	9	10	Axis 1 Forward Limit Switch
Axis 1 Inhibit	11	12	Axis 1 Reverse Limit Switch
Axis 2 Dir (CCW)	13	14	Axis 2 Step (CW)
Digital Ground	15	16	Axis 2 Encoder Phase A
Digital Ground	17	18	Axis 2 Encoder Phase B
Axis 2 Home Switch	19	20	Axis 2 Encoder $\overline{\text{Index}}$
Trigger/Breakpoint 2	21	22	Axis 2 Forward Limit Switch
Axis 2 Inhibit	23	24	Axis 2 Reverse Limit Switch
Axis 3 Dir (CCW)	25	26	Axis 3 Step (CW)
Digital Ground	27	28	Axis 3 Encoder Phase A
Digital Ground	29	30	Axis 3 Encoder Phase B
Axis 3 Home Switch	31	32	Axis 3 Encoder $\overline{\text{Index}}$
Trigger/Breakpoint 3	33	34	Axis 3 Forward Limit Switch
Axis 3 Inhibit	35	36	Axis 3 Reverse Limit Switch
Axis 4 Dir (CCW)	37	38	Axis 4 Step (CW)
Digital Ground	39	40	Axis 4 Encoder Phase A
Digital Ground	41	42	Axis 4 Encoder Phase B
Axis 4 Home Switch	43	44	Axis 4 Encoder $\overline{\text{Index}}$
Trigger/Breakpoint 4	45	46	Axis 4 Forward Limit Switch
Axis 4 Inhibit	47	48	Axis 4 Reverse Limit Switch
Digital Ground	49	50	Host +5 V

**Figure B-1.** 50-Pin Stepper Connector Pin Assignment





---

# Technical Support and Professional Services

Visit the following sections of the National Instruments Web site at [ni.com](http://ni.com) for technical support and professional services:

- **Support**—Online technical support resources include the following:
  - **Self-Help Resources**—For immediate answers and solutions, visit our extensive library of technical support resources available in English, Japanese, and Spanish at [ni.com/support](http://ni.com/support). These resources are available for most products at no cost to registered users and include software drivers and updates, a KnowledgeBase, product manuals, step-by-step troubleshooting wizards, conformity documentation, example code, tutorials and application notes, instrument drivers, discussion forums, a measurement glossary, and so on.
  - **Assisted Support Options**—Contact NI engineers and other measurement and automation professionals by visiting [ni.com/support](http://ni.com/support). Our online system helps you define your question and connects you to the experts by phone, discussion forum, or email.
- **Training**—Visit [ni.com/training](http://ni.com/training) for self-paced tutorials, videos, and interactive CDs. You also can register for instructor-led, hands-on courses at locations around the world.
- **System Integration**—If you have time constraints, limited in-house technical resources, or other project challenges, NI Alliance Program members can help. To learn more, call your local NI office or visit [ni.com/alliance](http://ni.com/alliance).
- **Declaration of Conformity (DoC)**—A DoC is our claim of compliance with the Council of the European Communities using the manufacturer’s declaration of conformity. This system affords the user protection for electronic compatibility (EMC) and product safety. You can obtain the DoC for your product by visiting [ni.com/hardref.nsf](http://ni.com/hardref.nsf).

If you searched [ni.com](http://ni.com) and could not find the answers you need, contact your local office or NI corporate headquarters. Phone numbers for our worldwide offices are listed at the front of this manual. You also can visit the Worldwide Offices section of [ni.com/niglobal](http://ni.com/niglobal) to access the branch office Web sites, which provide up-to-date contact information, support phone numbers, email addresses, and current events.

# Glossary

---

Symbol	Prefix	Value
$\mu$	micro	$10^{-6}$
m	milli	$10^{-3}$
M	mega	$10^6$

## Numbers/Symbols

/	per
%	percent
$\pm$	plus or minus
+5 V	+5 VDC source signal

## A

A	amperes
A/D	analog-to-digital
absolute mode	treat the target position loaded as position relative to zero (0) while making a move
absolute position	position relative to zero
acceleration/ deceleration	a measurement of the change in velocity as a function of time. Acceleration and deceleration describes the period when velocity is changing from one value to another.
active-high	a signal is active when its value goes high (1)
active-low	a signal is active when its value goes low (0)
ADC	analog-to-digital converter

address	character code that identifies a specific location (or series of locations) in memory or on a host PC bus system
amplifier	the drive that delivers power to operate the motor in response to low level control signals. In general, the amplifier is designed to operate with a particular motor type—you cannot use a stepper drive to operate a DC brush motor, for instance
Analog Input <1..4>	12-bit analog ADC input
API	application programming interface
axis	unit that controls a motor or any similar motion or control device
Axis <1..4> Forward Limit Input	axis 1 through 4 forward/clockwise limit switch
Axis <1..4> Home Input	axis 1 through 4 home input
Axis <1..4> $\overline{\text{Inhibit}}$	axis 1 through 4 inhibit output
Axis <1..4> Reverse Limit Input	axis 1 through 4 reverse/counter-clockwise limit input

## **B**

b	bit—one binary digit, either 0 or 1
base address	memory address that serves as the starting address for programmable or I/O bus registers. All other addresses are located by adding to the base address.
binary	a number system with a base of 2
buffer	temporary storage for acquired or generated data (software)
bus	the group of conductors that interconnect individual circuitry in a computer. Typically, a bus is the expansion vehicle to which I/O or other devices are connected.
byte	eight related bits of data, an eight-bit binary number. Also used to denote the amount of memory required to store one byte of data.

**C**

CCW	counter-clockwise—implies direction of rotation of the motor
closed-loop	a motion system that uses a feedback device to provide position and velocity data for status reporting and accurately controlling position and velocity
common	reference signal for digital I/O
CPU	central processing unit
crosstalk	an unwanted signal on one channel due to an input on a different channel
CSR	Communications Status Register
CW	clockwise—implies direction of motor rotation

**D**

DC	direct current
dedicated	assigned to a particular function
DGND	digital ground signal
digital I/O port	a group of digital input/output signals
DLL	dynamically-linked library—provides the API for the motion control boards
drivers	software that communicates commands to control a specific motion control board
DSP	Digital Signal Processor

## E

encoder	device that translates mechanical motion into electrical signals; used for monitoring position or velocity in a closed-loop system
encoder resolution	the number of encoder lines between consecutive encoder indexes (marker or Z-bit). If the encoder does not have an index output the encoder resolution can be referred to as lines per revolution.

## F

f	farad
FIFO	First-In, First-Out
filter parameters	indicates the control loop parameter gains (PID gains) for a given axis
filtering	a type of signal conditioning that filters unwanted signals from the signal being measured
flash ROM	a type of electrically reprogrammable read-only memory
following error trip point	the difference between the instantaneous commanded trajectory position and the feedback position
FPGA	Field Programmable Gate Array
freewheel	the condition of a motor when power is de-energized and the motor shaft is free to turn with only frictional forces to impede it
full-step	full-step mode of a stepper motor—for a two phase motor this is done by energizing both windings or phases simultaneously

## G

Gnd	ground
GND	ground

**H**

half-step	mode of a stepper motor—for a two phase motor this is done by alternately energizing two windings and then only one. In half step mode, alternate steps are strong and weak but there is significant improvement in low-speed smoothness over the full-step mode.
hex	hexadecimal
home switch (input)	A physical position determined by the mechanical system or designer as the reference location for system initialization. Frequently, the home position also is regarded as the zero position in an absolute position frame of reference.
host computer	computer into which the motion control board is plugged

**I**

I/O	input/output—the transfer of data to and from a computer system involving communications channels, operator interface devices, and/or motion control interfaces
ID	identification
in.	inches
index	marker between consecutive encoder revolutions
inverting	the polarity of a switch (limit switch, home switch, and so on) in <i>active</i> state. If these switches are active-low they are said to have inverting polarity.
IRQ	interrupt request

**K**

k	kilo—the standard metric prefix for 1,000, or $10^3$ , used with units of measure such as volts, hertz, and meters
K	kilo—the prefix for 1,024, or $2^{10}$ , used with B in quantifying data or computer memory

## L

LIFO	Last-In, First-Out
limit switch/ end-of-travel position (input)	sensors that alert the control electronics that physical end of travel is being approached and that the motion should stop

## M

m	meters
MCS	Move Complete Status
microstep	The proportional control of energy in the coils of a Stepper Motor that allow the motor to move to or stop at locations other than the fixed magnetic/mechanical pole positions determined by the motor specifications. This capability facilitates the subdivision of full mechanical steps on a stepper motor into finer microstep locations that greatly smooth motor running operation and increase the resolution or number of discrete positions that a stepper motor can attain in each revolution.
modulo position	treat the position as within the range of total quadrature counts per revolution for an axis

## N

noise	an undesirable electrical signal—noise comes from external sources such as the AC power line, motors, generators, transformers, fluorescent lights, soldering irons, CRT displays, computers, electrical storms, welders, radio transmitters, and internal sources such as semiconductors, resistors, and capacitors. Noise corrupts signals you are trying to send or receive.
noninverting	the polarity of a switch (limit switch, home switch, etc.) in <i>active</i> state. If these switches are active-high, they are said to have non-inverting polarity.

## O

open-loop	refers to a motion control system where no external sensors (feedback devices) are used to provide position or velocity correction signals
-----------	--



**P**

PCI	Peripheral Component Interconnect—a high-performance expansion bus architecture originally developed by Intel to replace ISA and EISA. It is achieving widespread acceptance as a standard for PCs and workstations; it offers a theoretical maximum transfer rate of 132 MB/s.
port	(1) a communications connection on a computer or a remote controller (2) a digital port, consisting of eight lines of digital input and/or output
position breakpoint	position breakpoint for an encoder can be set in absolute or relative quadrature counts. When the encoder reaches a position breakpoint, the associated breakpoint output immediately transitions.
power cycling	turning the host computer off and then back on, which causes a reset of the motion control board
PWM	Pulse Width Modulation—a method of controlling the average current in a motor phase winding by varying the on-time (duty cycle) of transistor switches
PXI	PCI eXtensions for Instrumentation

**Q**

quadrature counts	the encoder line resolution times four
-------------------	--

**R**

RAM	random-access memory
relative breakpoint	sets the position breakpoint for an encoder in relative quadrature counts
relative position	destination or target position for motion specified with respect to the current location regardless of its value
relative position mode	position relative to current position
ribbon cable	a flat cable in which the conductors are side by side
RPM	revolutions per minute—units for velocity

RPSPS or RPS/S revolutions per second squared—units for acceleration and deceleration

RTR Ready to Receive

## S

s seconds

servo specifies an axis that controls a servo motor

stepper specifies an axis that controls a stepper motor

stepper <1..4> Dir (CCW) direction output or counter-clockwise direction control

stepper <1..4> Step (CW) stepper pulse output or clockwise direction control

## T

toggle changing state from high to low, back to high, and so on

torque force tending to produce rotation

trapezoidal profile a typical motion trajectory, where a motor accelerates up to the programmed velocity using the programmed acceleration, traverses at the programmed velocity, then decelerates at the programmed acceleration to the target position

trigger any event that causes or starts some form of data capture

TTL transistor-transistor logic

## V

V volts

$V_{CC}$  positive voltage supply

velocity mode move the axis continuously at the specified velocity

## **W**

- watchdog                    a timer task that shuts down (resets) the motion control board if any serious error occurs
- word                        the standard number of bits that a processor or memory manipulates at one time, typically 8-, 16-, or 32-bit

# Index

---

## Numerics

68-pin

- motion I/O connector, 5-2
- signal descriptions, 5-3

7330

- analog feedback, 4-2
- axes, 4-3
- controller, requirements for getting started, 1-2
- digital I/O lines, 5-14
- flash ROM, 4-2
- functional overview, 4-1
- motion I/O
  - connector signals, 5-1
  - resources, 4-4
- operating system, 4-1
- processor architecture, 4-1
- pulse width modulation inputs, 5-15
- RTSI signal considerations, 5-15
- signal connections, 5-1
- trajectory control, 4-2

## A

- accessories, 1-4
- Analog Input <1..4>, 5-12
- Analog Input Ground, 5-13
- Analog Reference, 5-13
- analog signal, wiring, 5-13
- Axis <1..4>
  - Forward Limit Input, 5-5
  - Home Input, 5-5
  - Inhibit, 5-4
  - Reverse Limit Input, 5-5
  - Step (CW) and Dir (CCW), 5-3

## B

- breakpoint, examples, 5-15
- Breakpoint Output Circuit, 5-11

## C

- cables, 1-4
  - encoders, 5-8
- command buffer, 4-4
- communications status register (CSR), 4-4
- communications, host, 4-4
- configuration, 2-1
- connectors, 1-4, 3-3
  - RTSI, 3-3

## D

- Declaration of Conformity (NI resources), C-1
- diagnostic tools (NI resources), C-1
- digital I/O connector, pin assignments, 5-14
- documentation, NI resources, C-1
- drivers (NI resources), C-1

## E

- Encoder <1..4>
  - Index, 5-7
  - Phase A/Phase B, 5-7
- encoders
  - cables, 5-8
  - inputs, limiting noise, 5-8
  - signals
    - cables, 5-8
    - ground connections, 5-8
- examples (NI resources), C-1

## F

- features, 1-1
- FPGA programs, updating, 4-3
- functional overview
  - host communications, 4-4

## G

- ground connections
  - encoder signals, 5-8
  - home switch signals, 5-6
  - limit signals, 5-6

## H

- hardware, 1-1
- help, technical support, C-1
- home switch signals, ground connections, 5-6
- Host +5 V, motion I/O connection, 5-13
- host communications, 4-4

## I

- I/O connectors, 1-4
- implementing, trajectory control, 4-2
- installation
  - category, 2-3
  - hardware, 2-4
  - software, 2-1
- instrument drivers (NI resources), C-1

## K

- KnowledgeBase, C-1

## L

- limit
  - inputs, wiring, 5-5
  - signals, ground connections, 5-6

## M

- motion I/O, connector signals, 5-1
- motion I/O connection, Host +5 V, 5-13

## N

- National Instruments support and services, C-1
- NI support and services, C-1
- noise, encoder inputs, 5-8

## O

- optional equipment, 1-4

## P

- programming examples (NI resources), C-1

## Q

- quadrature
  - encoder inputs, 5-6
  - signals, 5-7

## R

- requirements for getting started, 1-2
- return data buffer (RDB), 4-4
- RTSI
  - breakpoint across RTSI (figure), 5-16
  - connector, 3-3, 5-15
  - signal considerations, 5-15
  - using with the 7330, 1-2

## S

- safety information, 2-2
- Shutdown Input Circuit, 5-11
- signal descriptions, 68-pin motion I/O connector, 5-3

software (NI resources), C-1  
software programming choices, 1-3  
support, technical, C-1

## **T**

technical support, C-1  
training (NI resources), C-1  
trajectory control, 4-2  
Trigger Input Circuit, 5-11  
troubleshooting (NI resources), C-1

## **U**

updating, FPGA programs, 4-3

## **W**

Web resources, C-1  
wiring  
    analog signals, 5-13  
    limit inputs, 5-5